

Operating Instructions

Series DP Spring Driven Hose Reels

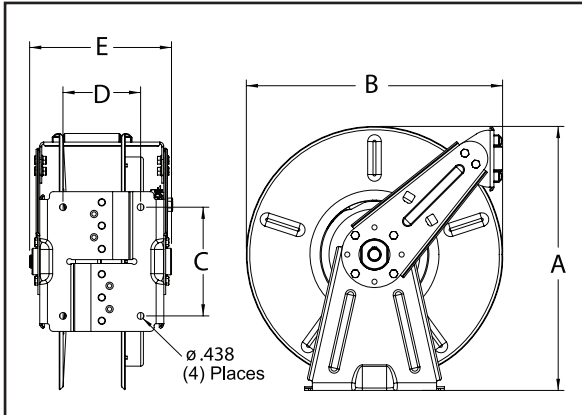
[DP5400 OLP](#) [DP5650 OLP](#) [DP7800 OLP](#) [DP7600 OHP](#)
[DP5450 OLP](#) [DP5800 OLP](#) [DP7850 OLP](#) [DP7650 OHP](#)
[DP5600 OLP](#) [DP5835 OLP](#) [DP7600 OMP](#)
[DP5635 OLP](#) [DP7600 OLP](#) [DP7800 OMP](#)
[DP5605 OLP](#) [DP7650 OLP](#) [DP7850 OMP](#)



IMPORTANT

Read this manual carefully before installing, operating or servicing this equipment.

Dimensions



	DP5400 DP5600	DP5450 DP5635	DP5605 DP5800	DP5650 DP5835	DP7400 DP7600	DP7450 DP7650	DP7800 DP7850
A	16 3/8"	16 3/8"	16 3/8"	16 3/8"	17"	17"	17"
B	14 3/8"	14 3/8"	14 3/8"	14 3/8"	16 1/2"	16 1/2"	16 1/2"
C	7"	7"	7"	7"	7"	7"	7"
D	4"	4"	5"	5"	4"	4"	5"
E	8"	8"	9"	9"	8"	8"	9"

SAFETY

Personal injury and/or equipment damage may result if proper safety precautions are not observed.

- Ensure that reel is properly installed before connecting input and output hoses.
- Bleed fluid/gas pressure from system before servicing reel.
- Before connecting reel to supply line, ensure that pressure does not exceed maximum working pressure rating of reel.
- Remember, even low pressure is very dangerous and can cause personal injury or death.
- Be aware of machinery and personnel in work area.
- If a leak occurs in the hose or reel, remove system pressure immediately.
- A high tension spring assembly is contained within the reel. Exercise extreme caution.
- Pull hose from reel by grasping the hose itself, not the control valve.
- If reel ceases to unwind or rewind, remove system pressure immediately. Do not pull or jerk on hose!
- Treat and respect the hose reel as any other piece of machinery, observing all common safety practices.

Form# 1196-1106 Rev: 2/2026

Figure A

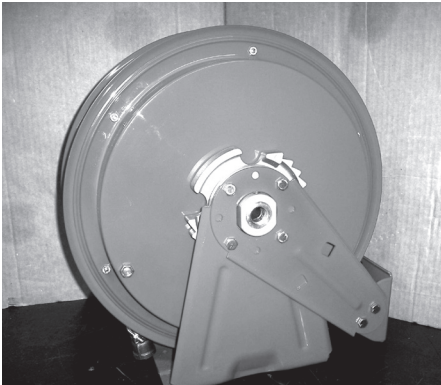


Figure B

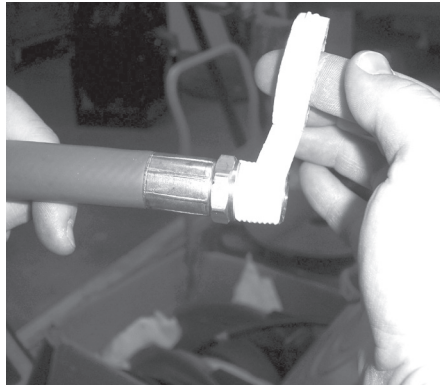
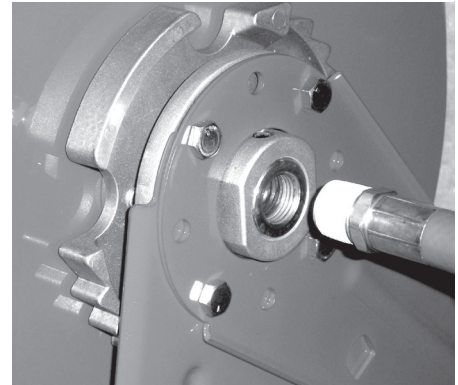


Figure C



Installation Instructions

WARNING: Ensure that reel, hose, and equipment are properly grounded. Use an ohmmeter to check ground continuity.

Mounting

CAUTION: Unless reel was specified differently when ordering, maximum installation height is 16 feet. Do not exceed this distance.

Maximum Operating Temperature:

Low pressure (300 p.s.i.) = 150 °F (66 °C)

1. Unpack and inspect reel for damage. Turn spool by hand to check for smooth operation. Check for completeness.
2. Configure reel for top, side or bottom hose dispensing by removing bolts from one side of the guide roller bracket and loosening the four guide arm bolts on each side of the hose reel. Remove each guide arm then reinstall in the desired configuration.
3. Position reel on floor, wall, or ceiling. Secure into place using four (customer supplied) bolts.

Installing the Input Hose

WARNING: Ensure that supply line pressure does not exceed maximum working pressure rating of reel. Apply pipe thread sealant to all threads on standard reels. Do not overtighten connection. Recommended torque not to exceed 70 ft. lb.

CAUTION: Use flexible hose connection at input. Do not use rigid plumbing. The use of rigid plumbing may void warranty.

1. Apply thread sealant as shown in Figure B and connect input hose to main shaft input Figure C.
2. Tighten securely, ensuring a sealed connection has been made.

Figure D

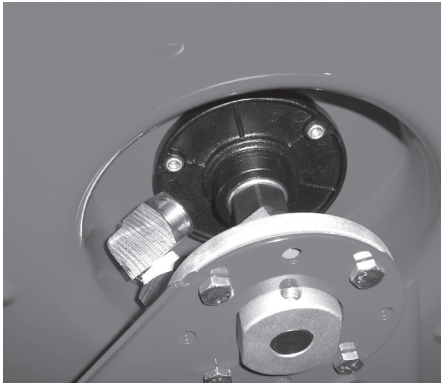


Figure E



Figure F



Installing the Output Hose

WARNING: Use extreme caution; reel under tension. Avoid releasing latch mechanism.

CAUTION: Apply pipe thread sealant to all threads on standard reels. Do not overtighten connection. Recommended torque not to exceed 70 ft. lb.

1. Manually turn sheave until spring is tight, back off 2 turns, then latch.
2. Route output hose through roller bracket, U-bolts, then through cut out in spool as indicated in above illustrations.
3. Connect output hose to swivel output as indicated in Figure E.
4. Place U-bolt over hose and through the slotted holes below the hose opening. Add washers and lock nuts, tighten securely. (Figure F)
5. Charge hose. Momentarily open control valve to purge hose of gases. When fluid appears at control valve, close valve. **With hose fully charged, release latch and wind output hose onto reel.**
6. Install bumper stop assembly.

Adjustments

WARNING: Use extreme caution; reel under tension. Avoid releasing latch mechanism. If necessary, adjust spring tension on reel by manually adding or removing wraps of hose from spool, one wrap at a time, until desired tension is obtained. Manually add wraps to increase tension. Remove wraps to decrease tension.

CAUTION: When adding wraps of hose, add just enough wraps to achieve the desired tension without exceeding the winding mechanism's spring capacity. Properly tensioned reels allow all hose to be freely removed from the spool until the point of U-bolt contact. Damage to the winding mechanism will result if spring is over-tensioned.

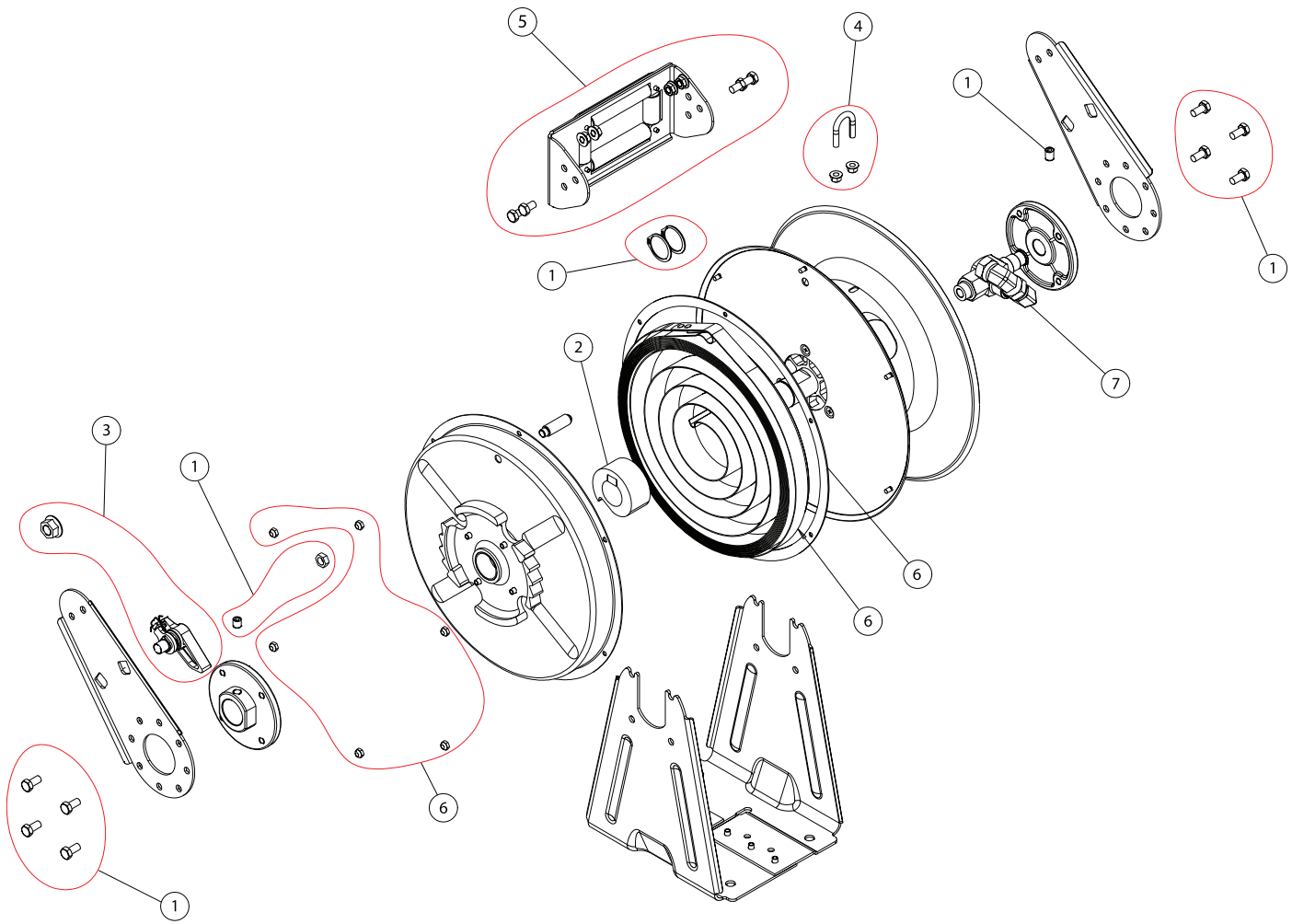
Service Instructions

User servicing of the reel is limited to replacing input/output hoses only. Refer all other repairs to an authorized service person or directly to Reelcraft. Failure to do so may result in personal injury and/or equipment damage and may void the warranty.

WARNING: Rewind hose on reel, then bleed pressure from system before performing the following procedures.

CAUTION: Remove all spring tension before disassembling the hose reel. Do not attempt to open the riveted spring case assembly.

1. Replace hoses in accordance with procedures given in "Installation Instructions" section of this manual.
2. All mating moving parts have been factory lubricated as required.



Service Kits - General

ITEM	DESCRIPTION	QTY.	PART #
1	HARDWARE KIT	1	S603014
	SNAP RING, 1-1/4" SHAFT x .05" THK	2	
	SCREW, HEX HEAD CAP 5/16-18 x 5/8" LG	8	
	NUT, HEX JAM, 3/8-24	1	
	SET SCREW 3/8-16 x 3/8" LG	1	
	SET SCREW 3/8-16 x 1/2" LG	1	
2	SPRING ARBOR & KEY ASSEMBLY	1	S600621
3	LATCH PAWL ASSEMBLY	1	S602144
4	U-BOLT KIT	1	S3-117440
	U-BOLT, 1/2" ID HOSE	1	
	NYLOC NUT 1/4-20	2	

Service Kits - Model Specific

ITEM	DESCRIPTION	QTY.	DP5400 OLP	DP5450 OLP	DP5600 OLP	DP5635 OLP
5	GUIDE ROLLER BRACKET ASSEMBLY	1	S602143	S602143	S602143	S602143
	GUIDE ROLLER BRACKET	1				
	NUT, HEX LOCK 5/16-18	4				
	SCREW, HEX HEAD CAP 5/16-18 x 1/2" LG	4				
6	DRIVE SPRING ASSEMBLY WITH GASKET	1	S603015	S603015	S603015	S603015
	DRIVE SPRING ASSEMBLY	1				
	GASKET, SEAL	1				
	NYLOC NUT, 10-32	6				
7	SWIVEL ASSEMBLY	1	S602154-1	S602154-1	S602145-1	S602145-1
---	HOSE ASSEMBLY	1	NONE	S601070-50	NONE	S601014-35
---	BUMPER STOP ASSEMBLY	1	NONE	S1-HR1004-A	NONE	S1-HR1004

ITEM	DESCRIPTION	QTY.	DP5605 OLP	DP5650 OLP	DP5800 OLP	DP5835 OLP
5	GUIDE ROLLER BRACKET ASSEMBLY	1	S602142	S602142	S602142	S602142
	GUIDE ROLLER BRACKET	1				
	NUT, HEX LOCK 5/16-18	4				
	SCREW, HEX HEAD CAP 5/16-18 x 1/2" LG	4				
6	DRIVE SPRING ASSEMBLY WITH GASKET	1	S603016	S603016	S603016	S603016
	DRIVE SPRING ASSEMBLY	1				
	GASKET, SEAL	1				
	NYLOC NUT, 10-32	6				
7	SWIVEL ASSEMBLY	1	S602145-1	S602145-1	S602145-1	S602145-1
---	HOSE ASSEMBLY	1	NONE	S601017-50	NONE	S601021-35
---	BUMPER STOP ASSEMBLY	1	NONE	S1-HR1004	NONE	S2-HR1004-3

ITEM	DESCRIPTION	QTY.	DP7600 OLP	DP7650 OLP	DP7800 OLP	DP7850 OLP
5	GUIDE ROLLER BRACKET ASSEMBLY	1	S602143	S602143	S602142	S602142
	GUIDE ROLLER BRACKET	1				
	NUT, HEX LOCK 5/16-18	4				
	SCREW, HEX HEAD CAP 5/16-18 x 1/2" LG	4				
6	DRIVE SPRING ASSEMBLY WITH GASKET	1	S603013	S603013	S603013	S603013
	DRIVE SPRING ASSEMBLY	1				
	GASKET, SEAL	1				
	NYLOC NUT, 10-32	6				
7	SWIVEL ASSEMBLY	1	S602145-1	S602145-1	S602145-1	S602145-1
---	HOSE ASSEMBLY	1	NONE	S601017-50	NONE	S601021-50
---	BUMPER STOP ASSEMBLY	1	NONE	S1-HR1004-3	NONE	S2-HR1004-3

ITEM	DESCRIPTION	QTY.	DP7600 OHP	DP7800 OHP	DP7850 OHP	DP7600 OHP	DP7650 OHP
5	GUIDE ROLLER BRACKET ASSEMBLY	1	S602143	S602142	S602142	S602143	S602143
	GUIDE ROLLER BRACKET	1					
	NUT, HEX LOCK 5/16-18	4					
	SCREW, HEX HEAD CAP 5/16-18 x 1/2" LG	4					
6	DRIVE SPRING ASSEMBLY WITH GASKET	1	S603012	S603012	S603012	S603012	S603012
	DRIVE SPRING ASSEMBLY	1					
	GASKET, SEAL	1					
	NYLOC NUT, 10-32	6					
7	SWIVEL ASSEMBLY	1	S602159	S602159	S602159	S602387	S602387
---	HOSE ASSEMBLY	1	NONE	NONE	S8-260043	NONE	S5-260044
---	BUMPER STOP ASSEMBLY	1	NONE	NONE	S2-HR1004-3	NONE	S602452